

IP66 / IP69K

IP66 / IP69K



IP66

IP69K

RoHS compliant

REACH COMPLIANCE

Made in Germany

IP66 / IP69K is a high-pressure, high-temperature resistant connector. It is suitable for use in industrial environments where high pressure and high temperature are required. The IP66 rating ensures protection against dust and water jets.

The connector has a diameter of  $\varnothing 50.5 (+0.5\text{mm})$  and a union thread. It is made of high-quality plastic and is suitable for use in industrial environments.

IP (EN 60529)

IP66, IP69K

-45 C° to 70 C°

IP66

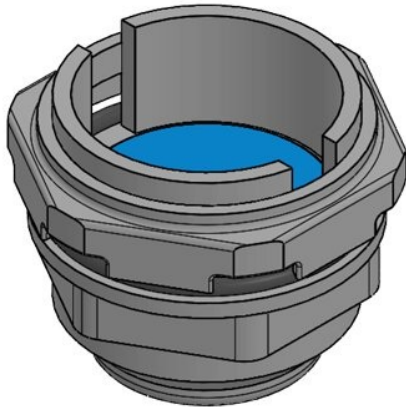
IP69K

IP66 / IP69K

- IP66/IP69K connector
- High pressure
- High temperature
- Industrial use
- High quality plastic
- Suitable for industrial environments

IP66 / IP69K

IP66 / IP69K M50



EAN

99193  
4251269324789  
1  
49,5 mm  
60 mm  
60 mm  
28,5 mm

IP66 / IP69K

50,5 mm  
M50 x 1,5  
200 ml/h

5mm (5mm)

IP66 / IP69K